

# G1810A


<https://muzcentre.ru>

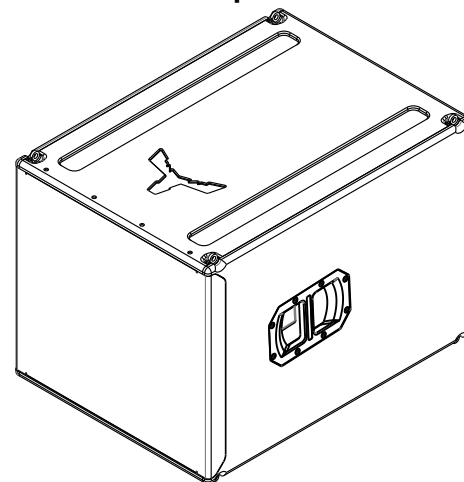
## Presentation:

The BASS-F series offers a professional passive/active flyable subwoofers range becoming the perfect choice for sound reinforcement challenges demanding high SPL and natural-sounding bass response designed to enhance the ultra-low bass of an existing PA system.

This G1810A is on a bass reflex configuration and constructed of 18mm birch plywood featuring a 18" loudspeaker with 4" voice coil delivering a nominal power handling of 1200W rms at 8 Ohms each giving low-ranging yet clearly defined bass response and rendering impulses with great accuracy in a very compact and robust enclosure.

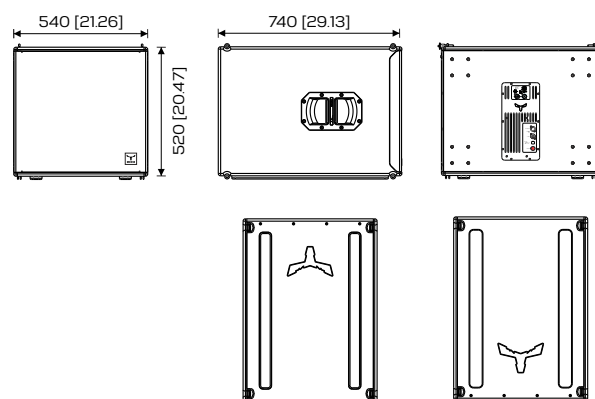
As self-powered system, the G1810A incorporates a single channel Class D amplifier and a DSP for real time operation according to different environments and music styles. With 4 user-defined presets than can be selected on the rear panel, the class D amplifier is prepared for 85-264Vac global mains voltage (SMPS with PFC) and features various electronic protections to guarantee the use of the speaker system in perfect sound and safe operation.

A perforated steel grille protects the loudspeaker and there are two side handles as well as four points in the rear for castors mounting. The enclosure has an integrated rigging system flyware and Ø9.8mm ball pins w/ stainless steel lanyard with PVC to facilitate ease of mounting and there is a metal rigging frame that allows the system to be used ground stacked or individually flown to increase its versatility combined with the LA88 (2x 8" line array speaker).



## Features:

- Bass reflex & flyable PASSIVE subwoofer
- Suited for 1x 10" line array speaker - LA10
- 1x 18" (4in VC) LF EU transducer, 1200W AES
- Single channel Class D amplifier with integrated DSP
- Universal 85-264Vac mains, SMPS with PFC
- Optimized for high SPL output
- Made for an impact bass
- Prepared for stacking and flying operation
- Rugged and durable 15mm birch plywood
- Powder coated custom perforated steel grille



Dimensions in mm [in]

## Technical specifications:

### Acoustical

|                         |  |
|-------------------------|--|
| Type                    | Flyable and compact passive subwoofer  |
| Enclosure design        | Bass reflex                            |
| Power rating (RMS/Peak) | 1200W / 4800W                          |
| Frequency range         | 32 - 200Hz (-10dB)                     |
| Nominal impedance       | N/A                                    |
| Transducer type         | 1x 18" LF (4in VC) EU transducer       |
| Crossover frequency     | 35Hz Butterworth 18dB (low cut filter) |
| SPL (1W/1kHz)           | 135dB @ 1m                             |
| Connector               | N/A                                    |

### Mechanical

|            |   |
|------------|---|
| Enclosure  | 18mm birch plywood, rugged polyurea coating   |
| Grille     | Custom perforated metal grilles w/ acoustic foam  |
| Color      | Black or white textured   |
| Hardware   | Integrated rigging flyware<br>Ø9.8mm ball pins w/ stainless steel lanyard with PVC<br>2 wood feet, 2 recessed side handles<br>Prepared for castors and for stacking |
| Dimensions | 540x740x520mm   21.26x29.13x20.47in   |
| Weight     | 56Kg   126.46lb   |

### Amplifier Module

|                     |  |
|---------------------|--|
| Type                | Single channel Class D   |
| Output Power        | 3200W / 8ohm   |
| Internal Processing | Fully programmable DSP<br>48KHz sampling frequency<br>24 bit AD/DA converter |
| Audio input/output  | XLR/Jack combo connector<br>XLR/M 3p   |
| Indicators          | Power, signal/preset, status, clip   |
| Controls            | Master level control, 4 selectable presets                                   |
| AC Mains            | SMPS with PFC, 85-264Vac universal mains                                     |
| AC Mains connector  | Neutrik® powerCON, Power-in/Power-out  |
| Protections         | Over current, short circuit, thermal, DC and HF                              |

